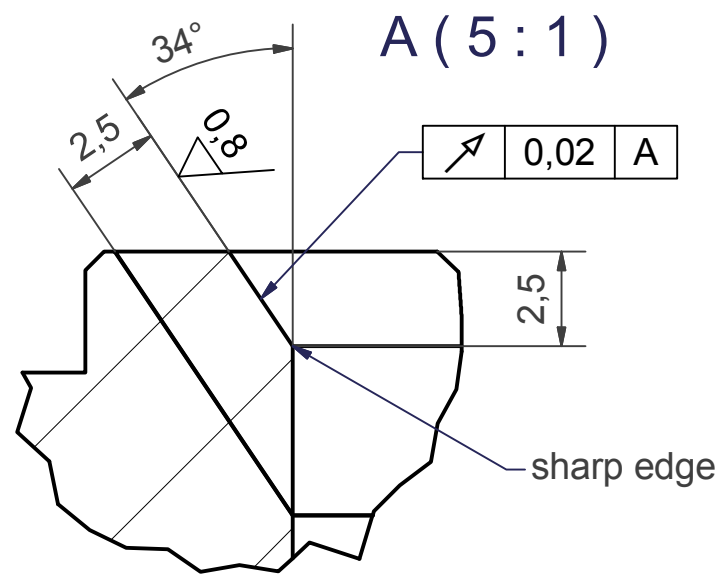
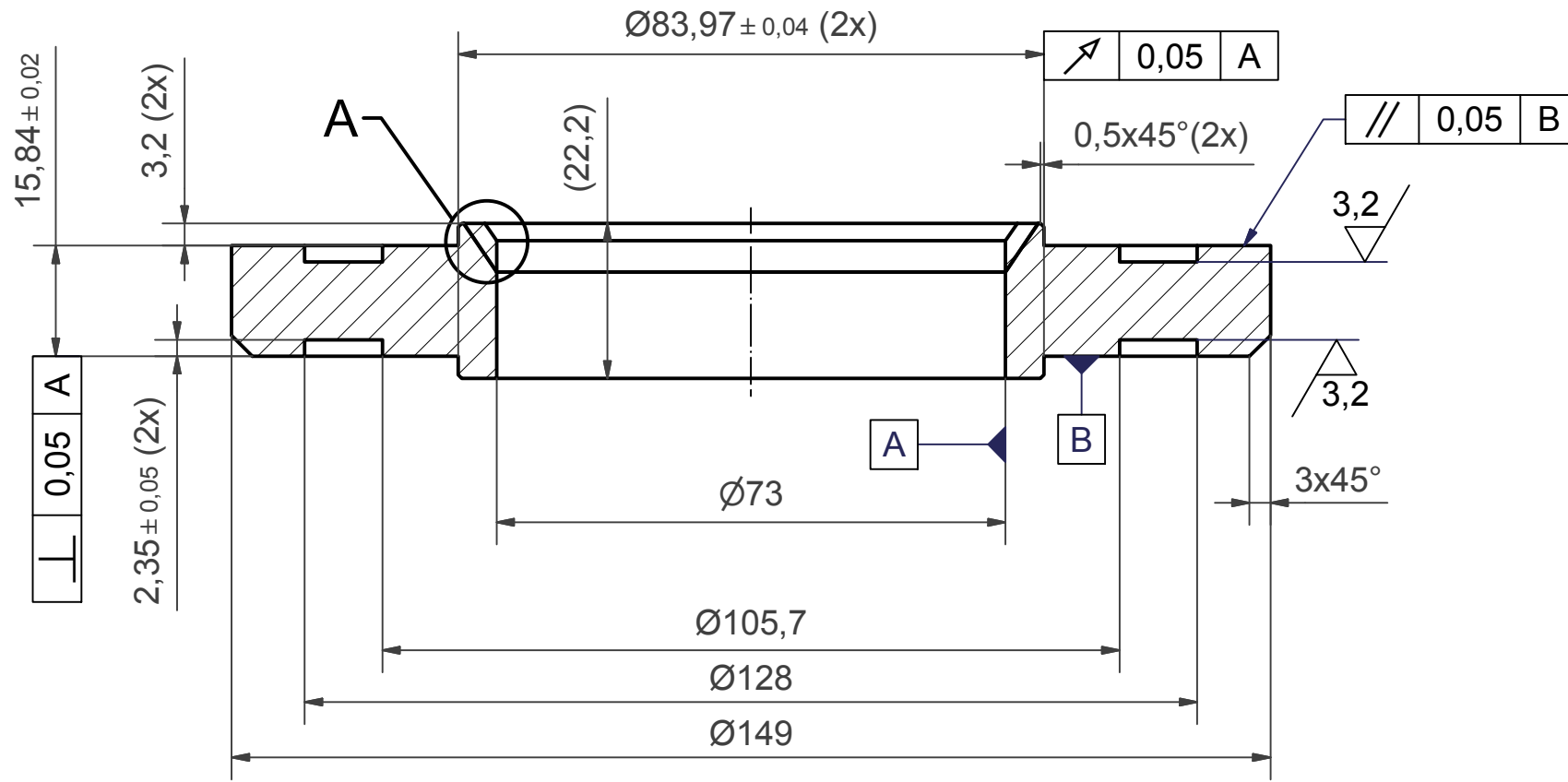



Drawing is property of CPC.
It's strictly forbidden to copy, trace or go over third party with this drawing without written permission.

3,2 / (0,8)



	Date	Name		
Drawn	23.07.2009			
Approved				
Checked				
Scale	Material	Seat Ring 30°		
1:1	1.4404			
Quantity	Freimaßtoleranz DIN ISO 2768 m	Drawingnumber: 130400035	Number of sheets.: 1	Sheet No.: 1