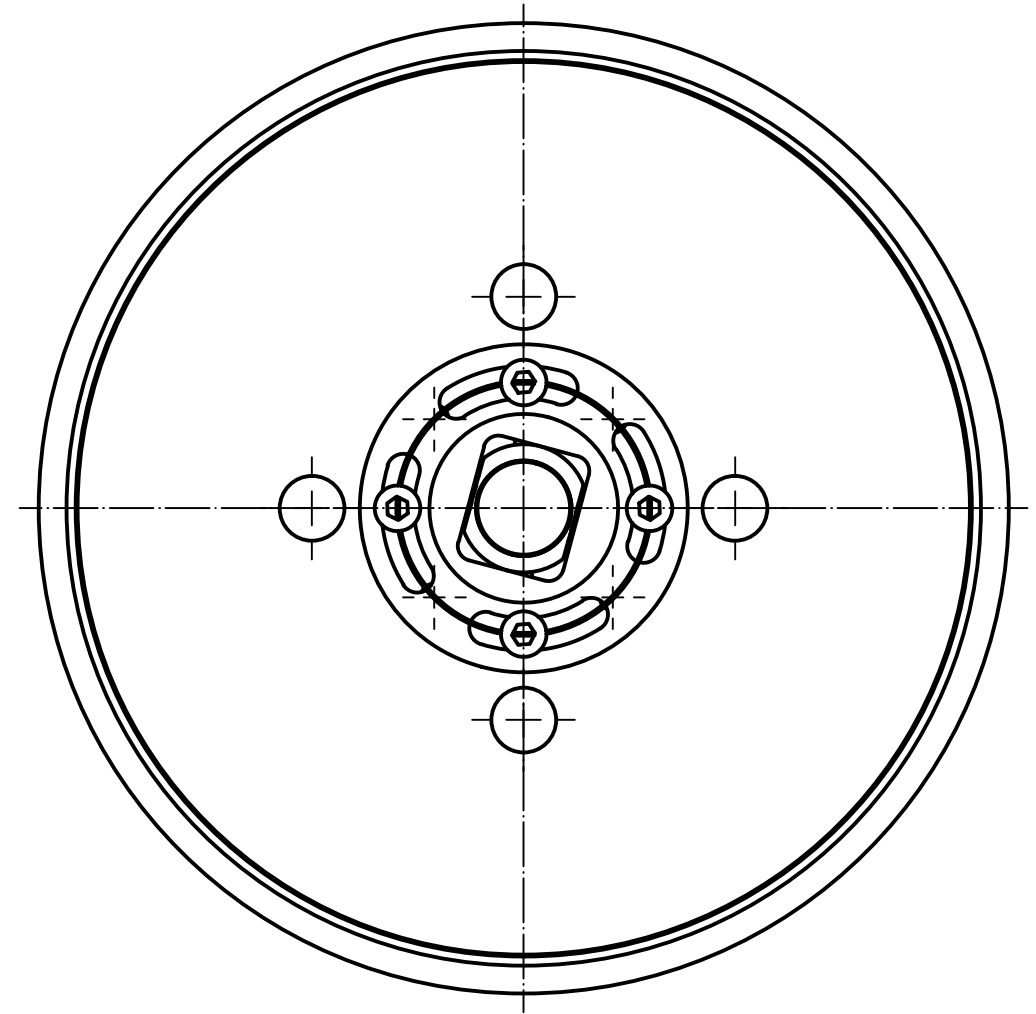
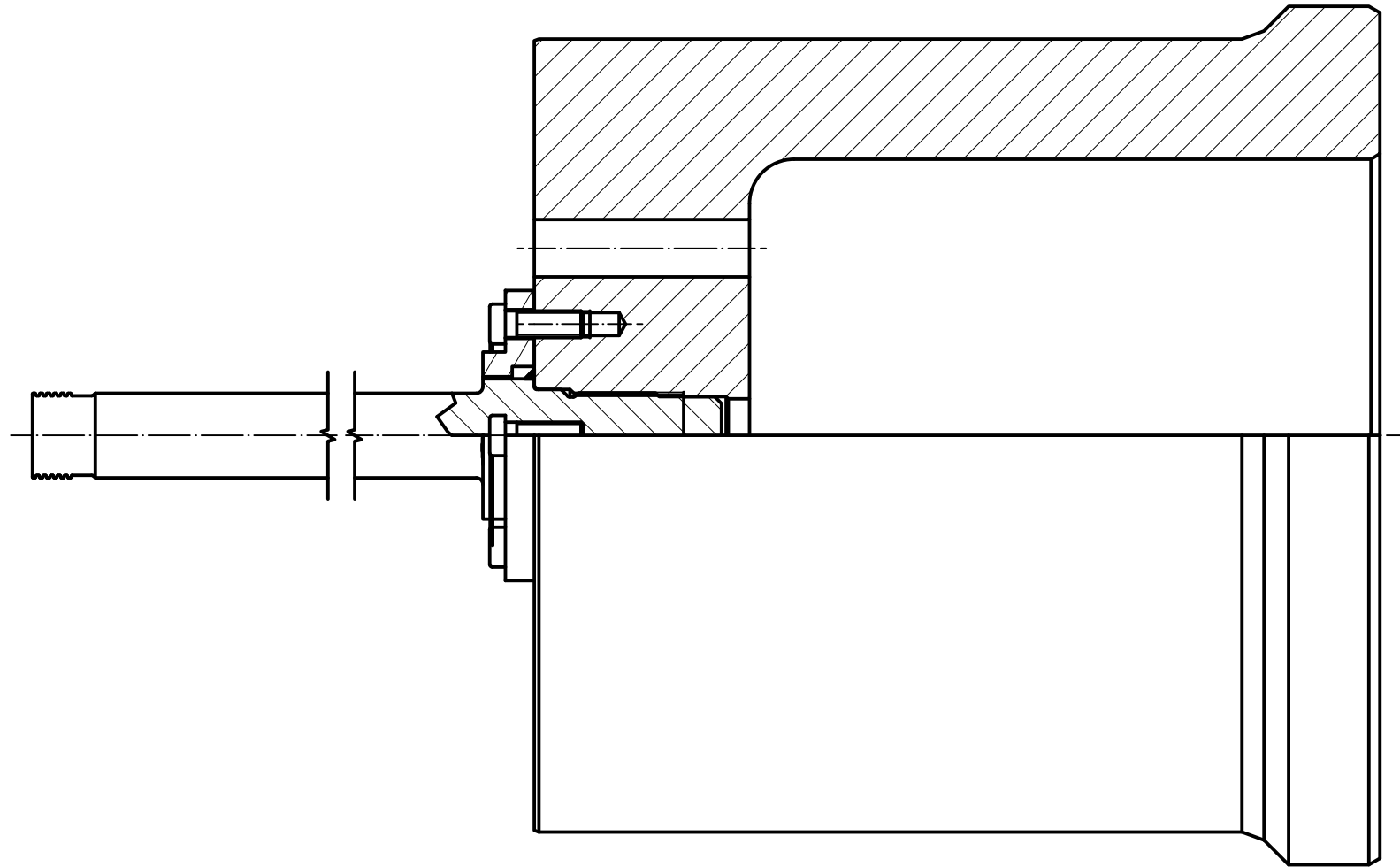



Drawing is property of CPC.
It's strictly forbidden to copy, trace or go over third party with this drawing without written permission.



	Date	Name	 CARTER PROCESS CONTROL	
Drawn	18.01.2010			
Approved				
Checked				
Scale	Material	Plug Assembly 1,5"Stem, 15" Plug		
1:3	see detail			
Quantity	Freimaßtoleranz	Drawingnumber:130100012		Number of sheets.: 1
	DIN ISO 2768 m			